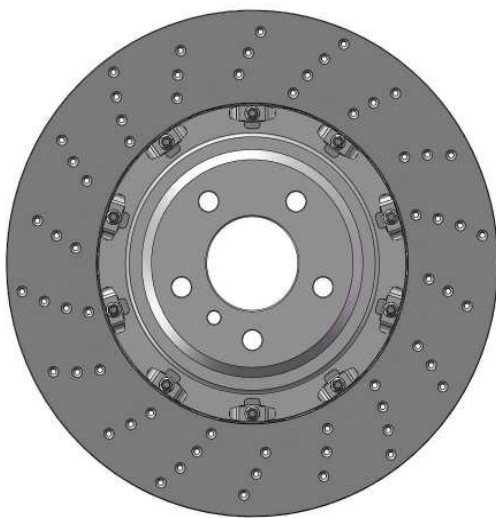
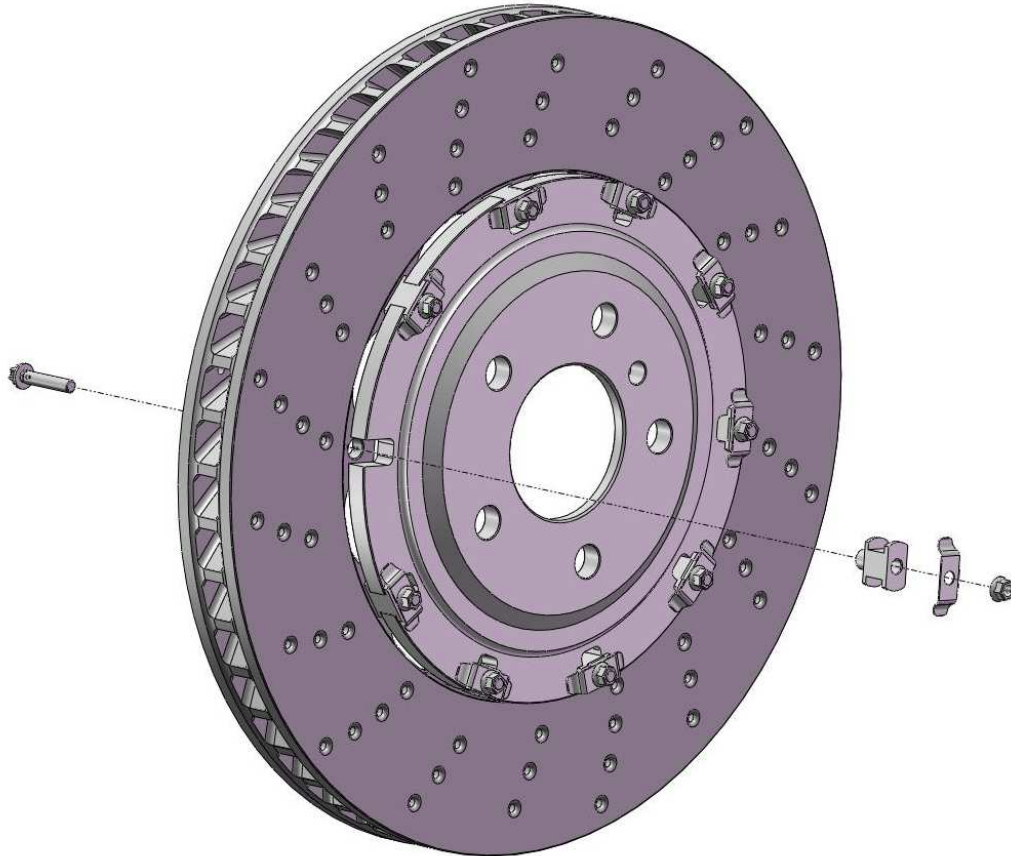




The Science of Friction

DISC & BELL ASSEMBLY INSTRUCTIONS FOR CP2494-2261 KITS



TIGHTENING TORQUES:

1. Pre-torque to 6,5Nm
2. Further tighten with rotation of 30° (+/-2°) and verify tightening torques are between 10 to 15Nm

AP Racing

Wheler Road, Coventry, CV3 4LB, United Kingdom

Tel: +44 (0)54 7663 9595 Fax: +44 (0)24 76639559 e-mail: sales@apracings.com Web: www.apracings.com